

5991/5996 Series

Speaker/Microphone Automatic Polarity Tester

User's Manual

switch “g”, green indicator will light up and buzzer will give off alarm.

4. Accessories and documents in product package

4.1 User’s Manual (1)

4.2 Condenser microphone (1)

4.3 Output line (1 pair)

4.4 Remote control terminal (1)

4.5 Sensor fixing rack (1)

5. Others

5.1 Read through this manual before use.

5.2 We provide one-year warranty for all our products. For failure caused by improper operation or other artificial factors, we will charge reasonable material cost for repair. In case of quality defects, please contact our QC Dept.

5.3 In case you need special specifications, please contact our Technical Dept and we will offer at preferential price.

5.4 Our philosophy: Priority in credit, customer services and high quality.

This tester is suitable for testing the “+” and “-” electrodes of speakers, earphones and moving-coil receivers of various types, dimensions, materials and impedance. For automatic identification and judgment, this instrument is easy to operate and error free. Equipped with fully automatic LED or alarm indicator, it adopts latest pulse-based quick-detection method to complete simultaneous test of pure tone indicators on production lines.

1. Key technical properties

1.1 Pulse width: 0.4 [+0.2mS]

1.2 Pulse amplitude: >10vp-p (Output range at “High”)

Output amplitude at “High”: Normally for speaker.

“Low”: Polyester resin (MYLAR)

For speaker or moving-coil receiver

“Medium”: For dome speaker

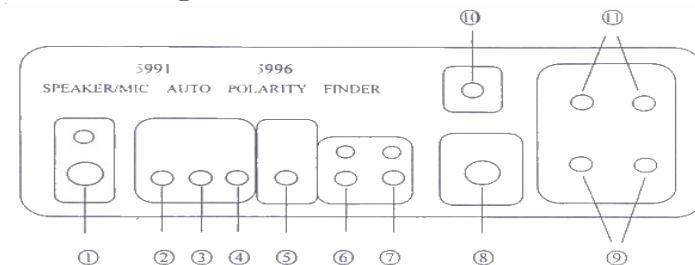
1.3 Transducer microphone: Condenser microphone

1.4 Buzzer: May shift “+” or “-” alarm

1.5 Test sensitivity: >=25cm – Speaker

1.6 Identification speed: 0.2 second

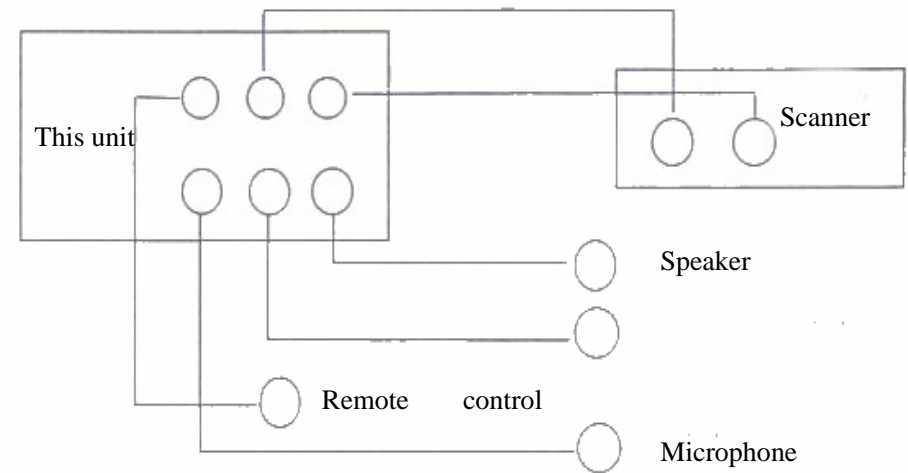
2. Panel description



1. (POWER) Power switch: Press to switch on power and indicator will light up (red).
2. 3. 4. (L M H): Output amplitude selector.
5. Press to set polarity (P). This tester is intended for polarity test. "Scan Frequency" (S) is connected with scanner at output. If remote control is not pressed, "9" output to speaker is scanner signal. Press "10" to test polarity.
6. 7. (POLARITY) "-" and "+": Buzzer/Polarity indicator. "-" polarity indicator and "+" polarity indicator.
8. (MIC) Condenser microphone input.
9. (OUTPUT): Speaker terminal.
10. (REMOTE): Connects external remote control.
11. (INPUT): When this tester is connected with scanner, scanner output terminal is connected here.

3. Operation instructions

- 3.1 Press Power switch and indicator will light up.
- 3.2 Polarity/Scanner selector.
 - 3.2.1 Press this button and this tester will test polarity.
 - 3.2.2 If this button and remote control are not pressed, sound for speaker is scanner output signal. This is used for sound test. Press remote control and it will test polarity. Connect as shown in diagram below. Scanner input means when this unit is connected with scanner, scanner output terminal is connected here in this unit. External remote control is connected with remote control switch. In case of short circuit, it will output scanner signal.



- 3.3 Output terminal, which is connected with speaker/moving-coil receiver to be tested.
- 3.4 Output amplitude: High, Medium and Low, used to change output level for speaker to be tested.

"High": Normally for speaker.

"Low": Polyester resin (MYLAR)

"Medium": For dome speaker

- 3.5 Condenser microphone: Insert plug into "Microphone input" (MIC) to test.
- 3.6 Connect as shown above. Move tested speaker close to condenser microphone.

Now, LED will light up. (Press "+" and "-" polarity switch). "+" red LED, means speaker polarity at output line red terminal is "+"; green "-" LED, means speaker polarity at output line red terminal is "-".
- 3.7 Buzzer selector, works with LED. Press buzzer switch "+", red indicator will light up and buzzer will give off alarm. Press buzzer