



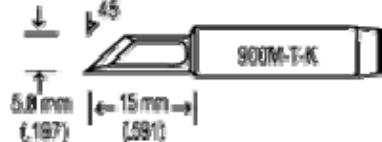



Part Code	Specification	Shape	Picture
900 M-T-B		Conical	
900 M-T-LB		Conical	
900M-T-0.8D		Chisel	
900M-T-1.2D		Chisel	
900M-T-1.6D		Chisel	
900M-T-2.4D		Chisel	
900M-T-3.2D		Chisel	
900M-T-1C		Bevel	
900M-T-2C		Bevel	
900M-T-3C		Bevel	
900M-T-4C		Bevel	

Part Code	Specification	Shape	
900M-T-5C	<p>900M-T-5C</p> 	Bevel	
900M-T-I		Conical	
900M-T-K		SMD	

\$4/tip \$35/bag (10tips)

The form is printable for your convenience.

* You can choose different type and mix into one bag for \$35